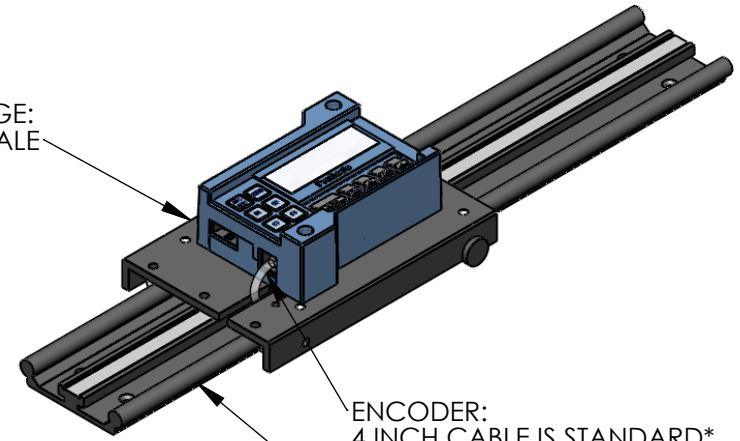


A and B dimensions on page 2

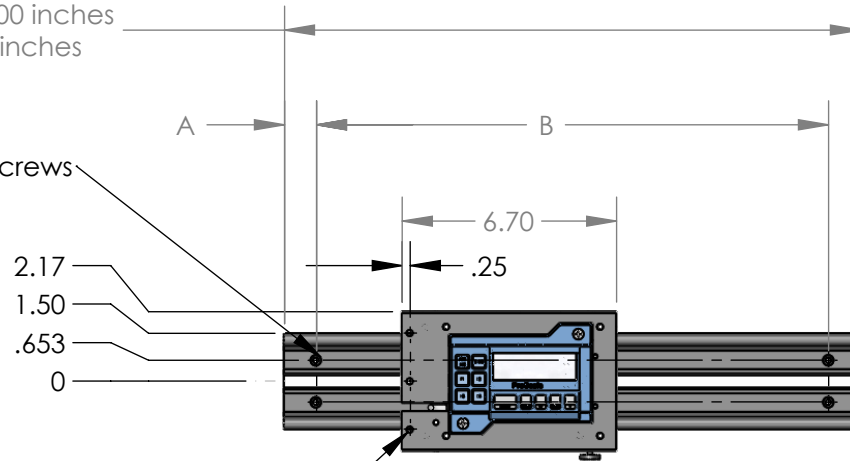
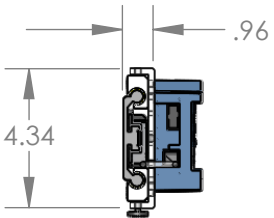
MOVING CARRIAGE:
SLIDES ALONG SCALE



ENCODER:
4 INCH CABLE IS STANDARD*
SCALE:
MOUNTED FIXED

Standard sizes: 56, 104, 128, 152, 200 inches
Physical length = measuring + 8 inches

Drilled and CS for #8 flathead screws



3 HOLES TAPPED M5 AT 1.50" CENTERS

UNLESS OTHERWISE SPECIFIED:

DIMENSIONS ARE IN INCHES
TOLERANCES:
ANGULAR: MACH ±1 BEND ±2
ONE PLACE DECIMAL ±0.050
TWO PLACE DECIMAL ±0.020
THREE PLACE DECIMAL ±0.005

INTERPRET GEOMETRIC
TOLERANCING PER:

MATERIAL

FINISH

DO NOT SCALE DRAWING

NAME
DATE

DRAWN
CHECKED
ENG APPR.
MFG APPR.

Q.A.
COMMENTS:

ACCURATE TECHNOLOGY INC.

TITLE:

MODEL 590 WITH GENERAL READOUT

SIZE DWG. NO.
A 901-59xx-235-004

REV
B

SCALE: 1:6 WEIGHT:

SHEET 1 OF 2

PROPRIETARY AND CONFIDENTIAL
THE INFORMATION CONTAINED IN THIS
DRAWING IS THE SOLE PROPERTY OF
ACCURATE TECHNOLOGY, INC. ANY
REPRODUCTION IN PART OR AS A WHOLE
WITHOUT THE WRITTEN PERMISSION OF
ACCURATE TECHNOLOGY IS
PROHIBITED.

HOLE TABLE FOR MODEL 590

DIMENSIONS SUBJECT TO CHANGE.
DIMENSIONS ARE +/- 0.020 TOLERANCE.

MODEL	PHYSICAL LENGTH	MEASURING LENGTH	DIMENSION A	DIMENSION B	TOTAL HOLES
590-4	56 INCHES	48 INCHES	4 INCHES	12 INCHES	10 HOLES
590-8	104 INCHES	96 INCHES	4 INCHES	16 INCHES	14 HOLES
590-10	128 INCHES	120 INCHES	8 INCHES	16 INCHES	16 HOLES
590-12	152 INCHES	144 INCHES	8 INCHES	17 INCHES	18 HOLES
590-16	200 INCHES	192 INCHES	1 INCH	18 INCHES	24 HOLES