

ProScale #700-1600-235(G) General Purpose Readout Version 3

TECHNICAL DATA SHEET

GENERAL INFORMATION

- All-purpose readout suits most applications.
- Resolutions down to 0.01mm, or .001 inches, or 1/64th (fractions)
- Battery powered.
- Can be externally powered with “G” version.
- Easy installation onto nearly any machine or ProScale measuring system.
- Large, easy-to-read characters
- 6pin input, 10pin output ports
- Auto-power off after 15 minutes.
- 3-year warranty.
- Made in USA.



MECHANICAL:	ELECTRICAL:
--------------------	--------------------

- Glass reinforced ABS plastic case
- Buttons are sealed from debris ingress
- Surface mounts with screws or Velcro
- Mounting options from inside the case or from behind the readout.
- Excellent vibration resistance.
- Operating temperature range: 30-120 F
- Open case with Phillips screwdriver.

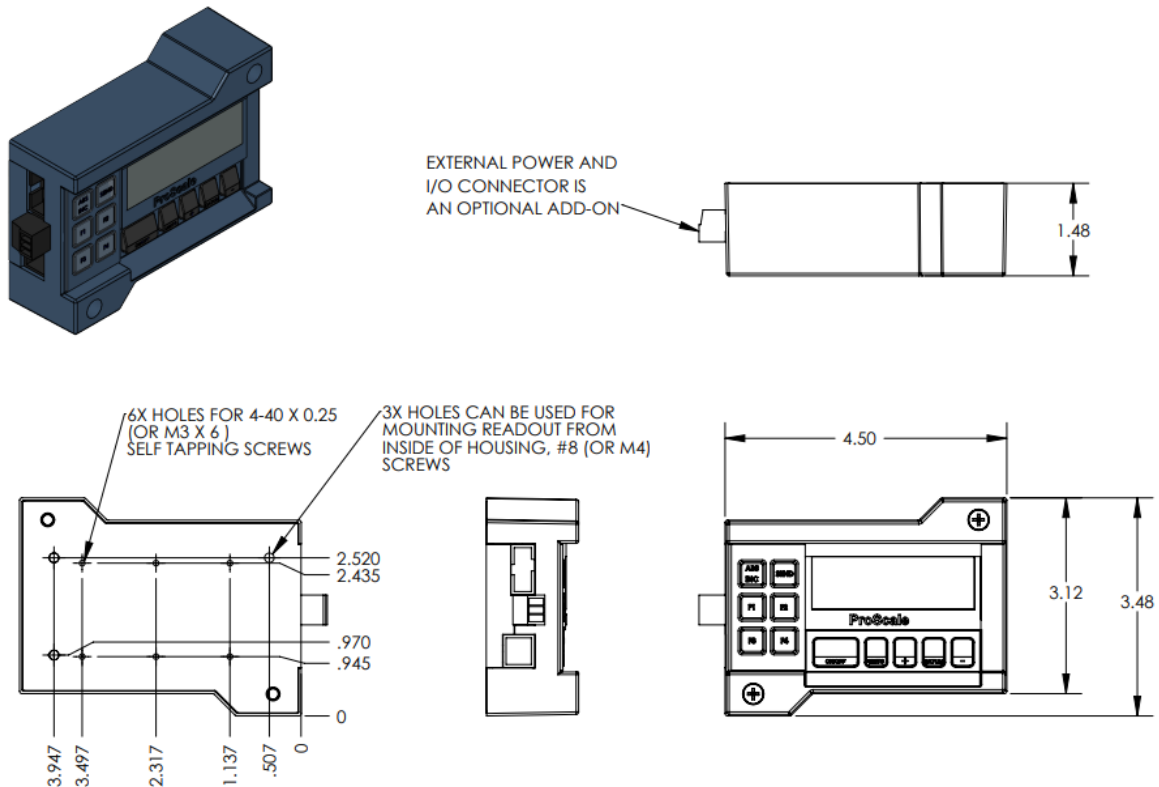
- Six conductor cable RJ11 input connector.
- 10 conductor IDC type output connector.
- Power and input/output connector supplied with “G” option.
- CR123 lithium battery powered (3 volts)
- External power option for 12-24VDC input
- Compatible with most ProScale encoders made since 1989 (with auto-configuration)*
- Over 40 User-Programmable settings
- Output signal is Digimatic, same as most digital calipers used worldwide.
- Built-in battery self-test (hold DATUM key 7 seconds)

**The G option (part number 700-1600-235G) should not be used with Models 150B or 250B.*

ABOUT ACCURACY:

Accuracy is determined by the electronic scale that is connected to the readout.
This readout has user-programmable linear compensation built-in.

DIMENSIONS:



3D CAD (STEP and IGS) files are available at www.proscale.com or by email on request.

FEATURES:

1. Battery or external power operation. (Internal jumper must be moved to switch power type.)
2. Auto-power off after 15 minutes (timer is user-programmable).
3. Auto-power on after .010 inches of motion (range is user-programmable).
4. Absolute and Incremental readings
5. Zero point (or Datum value) is user-programmable and can be set anywhere
6. 5 Units modes are standard, but some can be hidden with user-programming.
7. Compatible with ProRF, U-Wave, and GageWay wired and wireless transmitters.
8. Programmable offsets – store and keep up to 5 ‘home’ positions at the same time.
9. Special functions such as Go/NoGo, position monitor, range limits, and math functions are built-in.
10. All keys can be disabled using programming menu.

WHERE TO ORDER:

- From factory by calling 1-828-654-7920
- From website: www.proscale.com
- From distributors – see list at www.proscale.com/where-to-buy