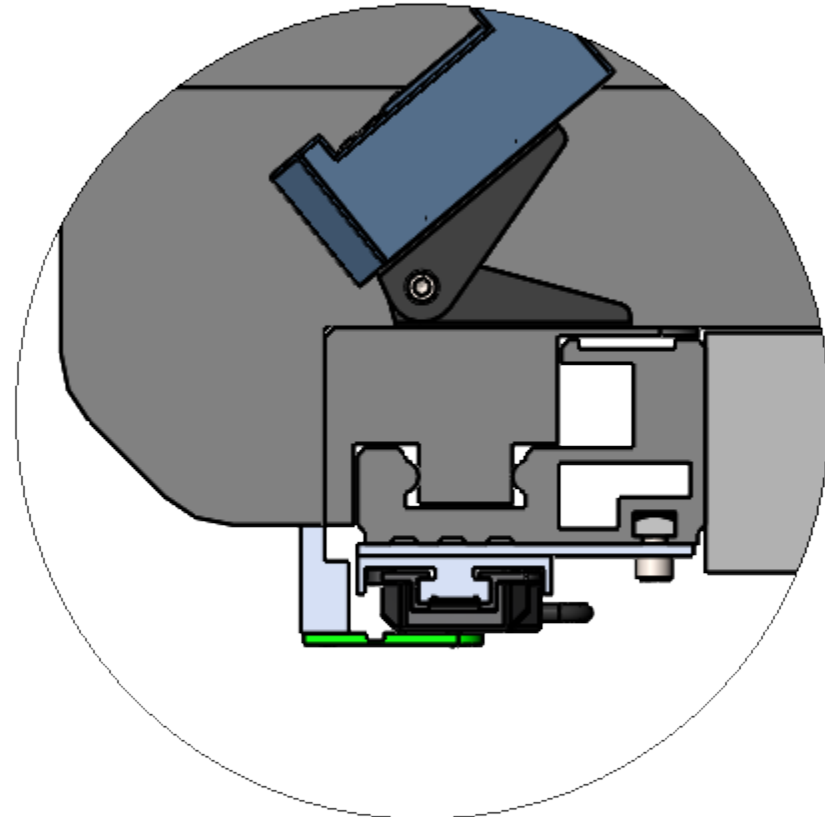
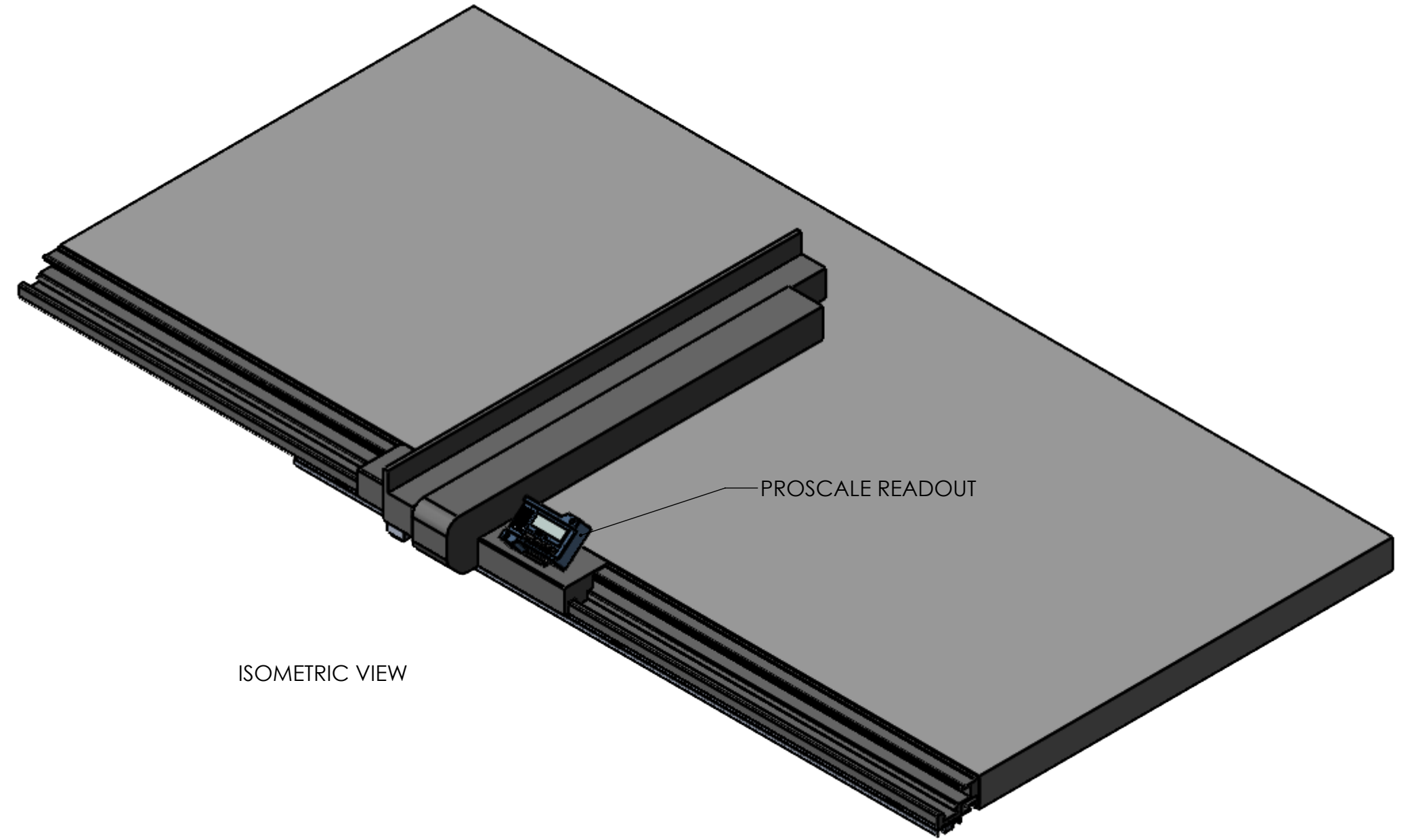


PROSCALE INSTALLED:



DETAIL A
SCALE 1 : 2



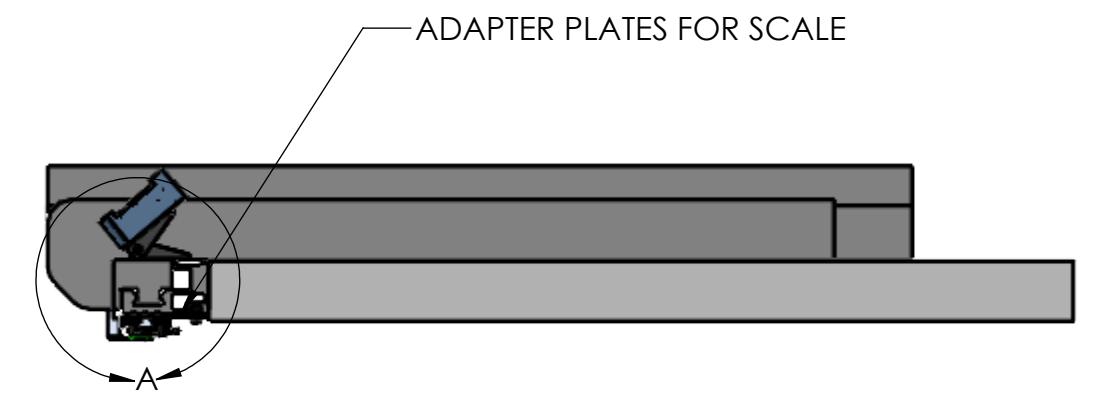
ISOMETRIC VIEW

PROSCALE READOUT



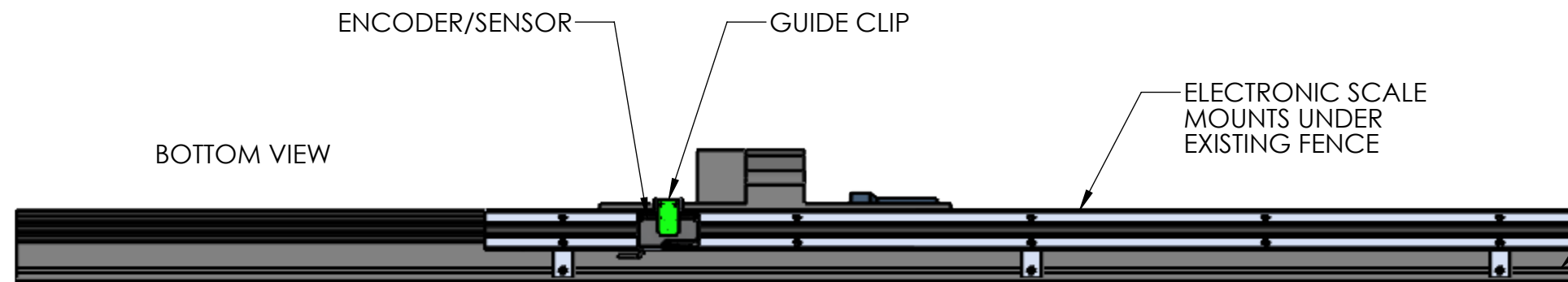
FRONT VIEW

ADAPTER PLATE FOR
ENCODER/SENSOR



RIGHT SIDE VIEW

ADAPTER PLATES FOR SCALE



BOTTOM VIEW

ENCODER/SENSOR

GUIDE CLIP

ELECTRONIC SCALE
MOUNTS UNDER
EXISTING FENCE

EXISTING T-SLOT

PROPRIETARY AND CONFIDENTIAL
THE INFORMATION CONTAINED IN THIS
DRAWING IS THE SOLE PROPERTY OF
ACCURATE TECHNOLOGY, INC. ANY
REPRODUCTION IN PART OR AS A WHOLE
WITHOUT THE WRITTEN PERMISSION OF
ACCURATE TECHNOLOGY, INC. IS
PROHIBITED.

UNLESS OTHERWISE SPECIFIED:		NAME	DATE
DIMENSIONS ARE IN INCHES	DRAWN	MF	6/11/2024
TOLERANCES:	CHECKED		
ANGULAR: MACH ±1 BEND ±2	ENG APPR.		
ONE PLACE DECIMAL ±0.050	MFG APPR.		
TWO PLACE DECIMAL ±0.020	Q.A.		
THREE PLACE DECIMAL ±0.005	COMMENTS:		
INTERPRET GEOMETRIC TOLERANCING PER:			
MATERIAL ASST			
FINISH ASST			
DO NOT SCALE DRAWING			

ACCURATE TECHNOLOGY INC

TITLE:
HARVEY BIG EYE

SIZE DWG. NO. REV
C Big Eye Fence + PROSCALE A

SCALE: 1:8 WEIGHT: SHEET 1 OF 1