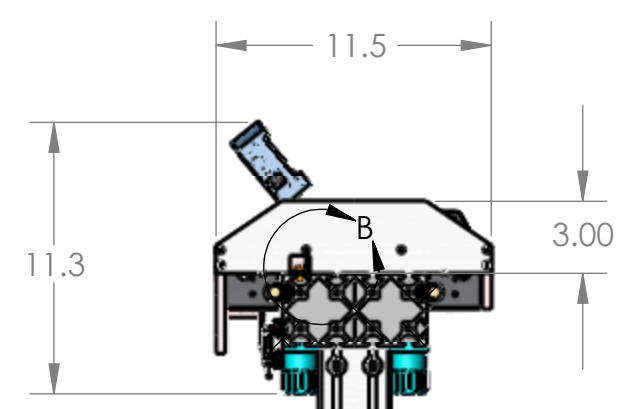
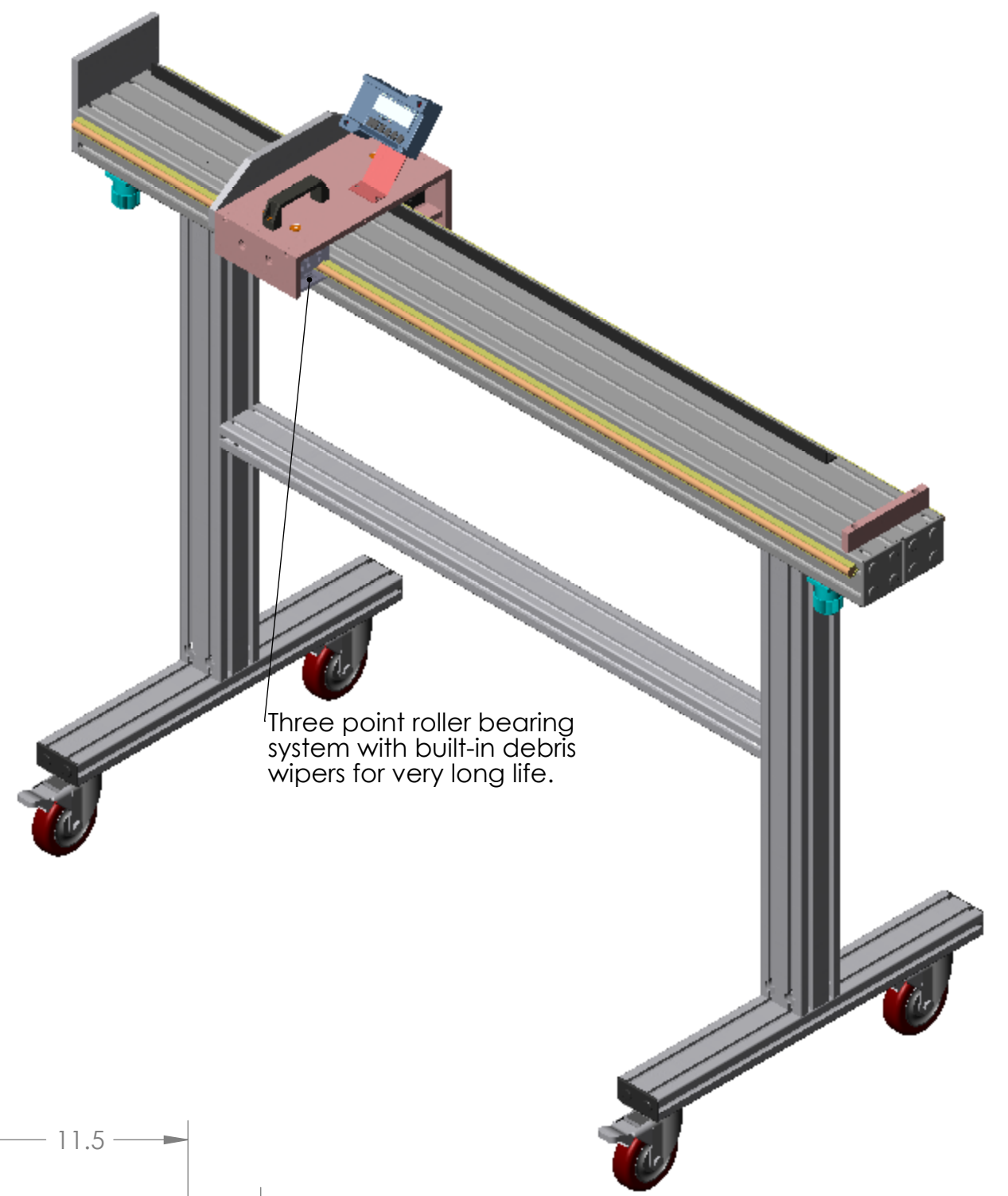
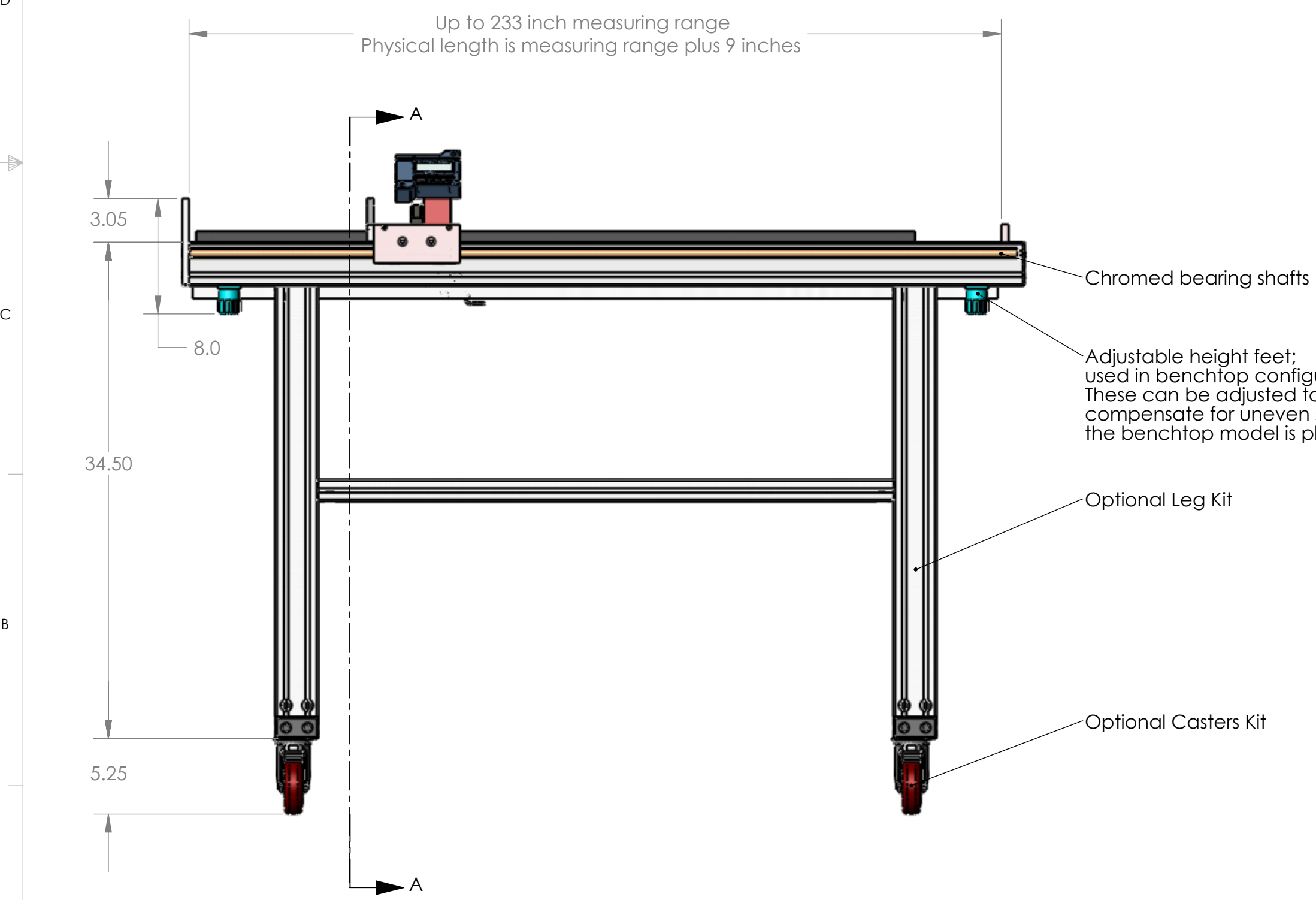


Standard readout is battery powered. It can also be configured for 24VDC operation. SPC output is built-in. SPC data can be transmitted by wire or RF using accessories.

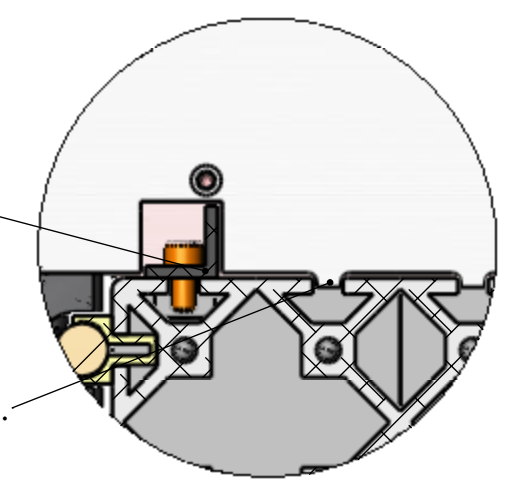
Standard Jaws are 1/2" HARD-ANODIZED black aluminum (Hardened & Ground Steel Jaws are optional)

Up to 233 inch measuring range  
Physical length is measuring range plus 9 inches



Backfence Cross-section

Jaws can be made with "fingers" for measuring very thin parts.



SECTION A-A

UNLESS OTHERWISE SPECIFIED:		NAME	DATE	ACCURATE TECHNOLOGY INC.	
DIMENSIONS ARE IN INCHES		DRAWN	MF	4-16-08	TITLE:
TOLERANCES:		CHECKED			
ANGULAR: MACH ±1 BEND ±2		ENG APPR.			
ONE PLACE DECIMAL ±0.050		MFG APPR.			
TWO PLACE DECIMAL ±0.020		Q.A.			SIZE DWG. NO. REV <b>C</b> ProTable <b>B</b>
THREE PLACE DECIMAL ±0.005		COMMENTS:			
INTERPRET GEOMETRIC TOLERANCING PER:				SCALE: 1:8	WEIGHT:
MATERIAL				SHEET 1 OF 1	
FINISH					
DO NOT SCALE DRAWING					

PROPRIETARY AND CONFIDENTIAL  
THE INFORMATION CONTAINED IN THIS DRAWING IS THE SOLE PROPERTY OF ACCURATE TECHNOLOGY, INC. ANY REPRODUCTION IN PART OR AS A WHOLE WITHOUT THE WRITTEN PERMISSION OF ACCURATE TECHNOLOGY, INC. IS PROHIBITED.