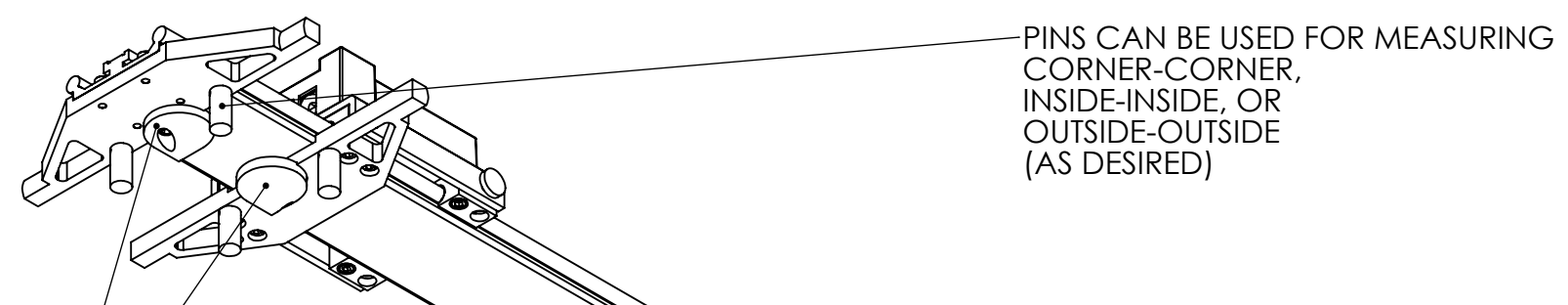
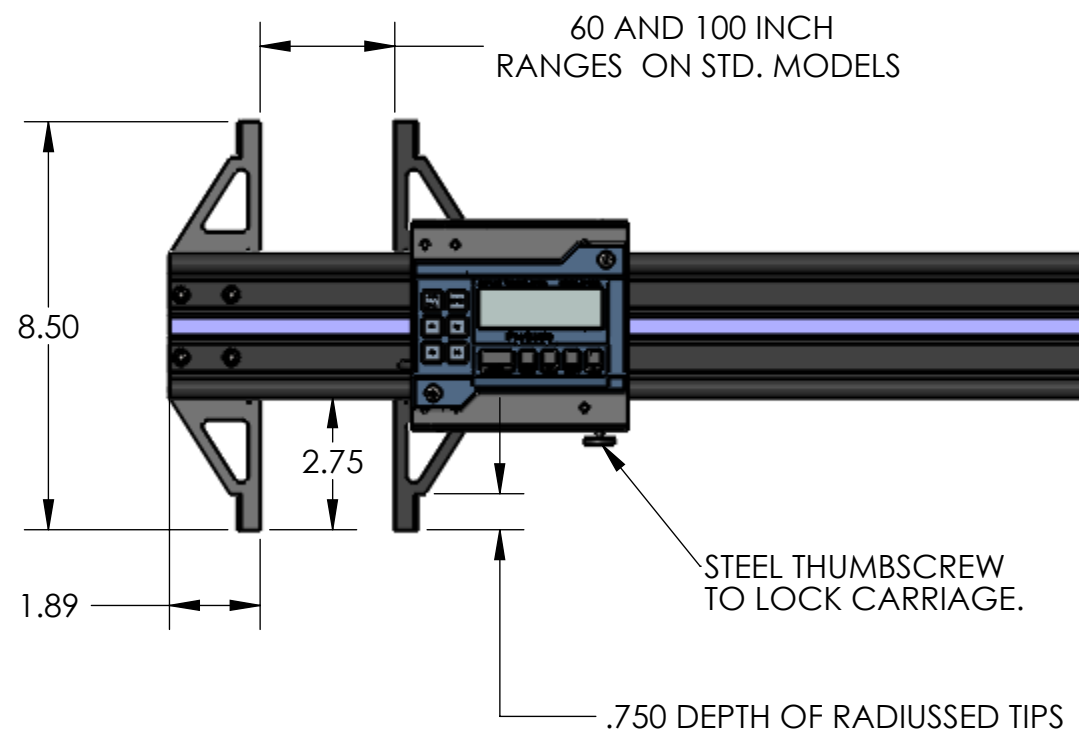
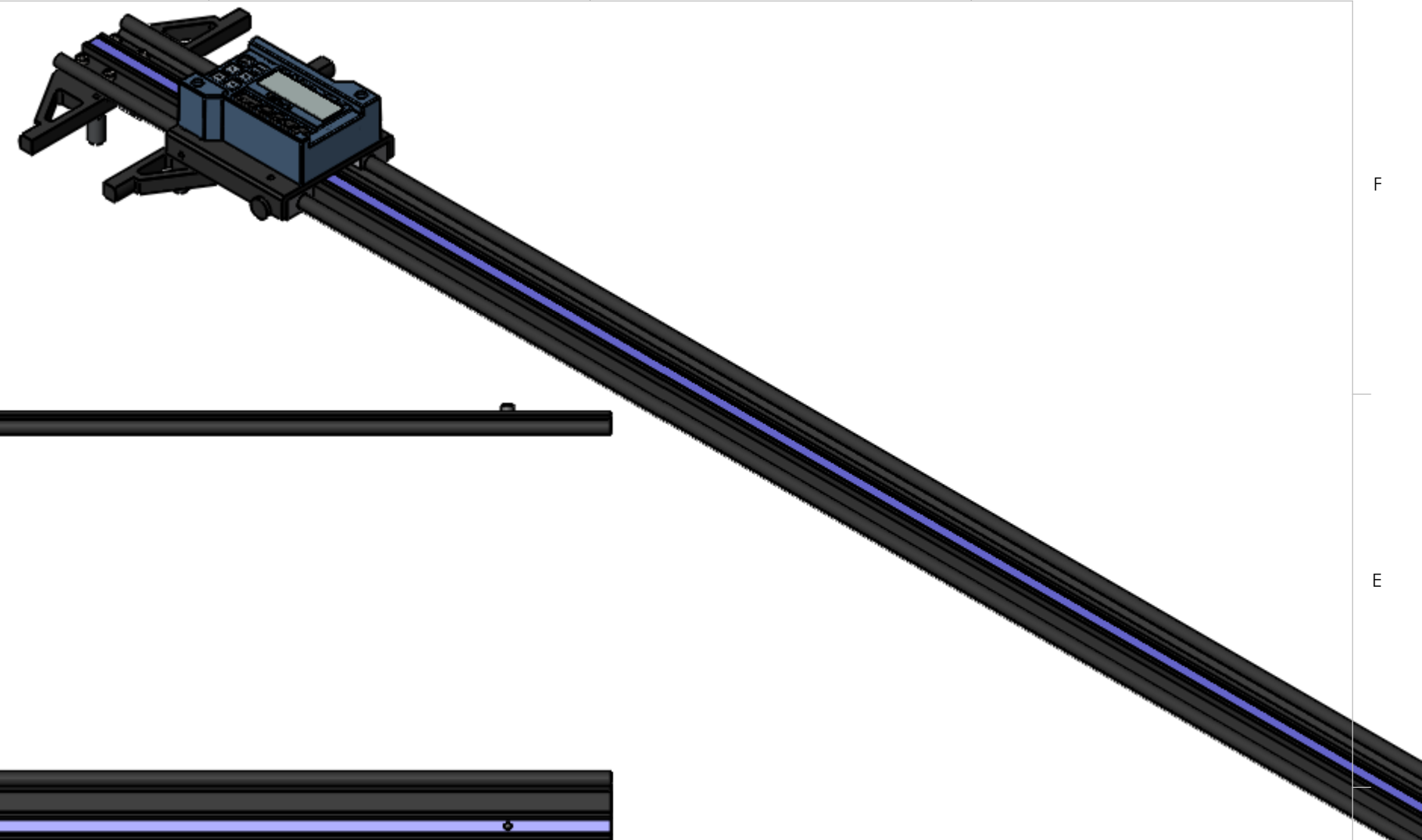


NOTES:

1. Physical length is measuring range plus 7.0 inches.
2. Supports outside-outside, inside-inside, corner-corner, and hole-hole measurements with attachments.
3. The digital readout can simultaneously track up to five offsets.
4. Jaws and extrusion are all hard anodized aluminum. Steel jaws are optional (extra cost).
5. Approx. weight with 60" measuring range is 7.25 pounds. 100" model is 10.25 pounds.
6. Minimum inside measurement is 24mm.
7. Minimum edge-hole measurement is 0.75 inches.
8. Minimum hole-hole measurement is 1.50 inches.
9. Best accuracy is achieved by properly setting DRO offsets when inserts are installed.



CUTOUTS ACCEPT CONE KIT - FOR HOLE TO HOLE AND HOLE TO EDGE MEASUREMENTS

PINS CAN BE USED FOR MEASURING CORNER-CORNER, INSIDE-INSIDE, OR OUTSIDE-OUTSIDE (AS DESIRED)

UNLESS OTHERWISE SPECIFIED:		NAME	DATE	ACCURATE TECHNOLOGY INC.
DIMENSIONS ARE IN INCHES		DRAWN	MF	
TOLERANCES:		CHECKED		TITLE:
ANGULAR: MACH ±1 BEND ±2		ENG APPR.		ProPanel HD/E
ONE PLACE DECIMAL ±0.050		MFG APPR.		
TWO PLACE DECIMAL ±0.020		Q.A.		
THREE PLACE DECIMAL ±0.005		COMMENTS:		
INTERPRET GEOMETRIC TOLERANCING PER:				
MATERIAL				
FINISH				
DO NOT SCALE DRAWING				

PROPRIETARY AND CONFIDENTIAL
THE INFORMATION CONTAINED IN THIS DRAWING IS THE SOLE PROPERTY OF ACCURATE TECHNOLOGY, INC. ANY REPRODUCTION IN PART OR AS A WHOLE WITHOUT THE WRITTEN PERMISSION OF ACCURATE TECHNOLOGY, INC. IS PROHIBITED.

SIZE	DWG. NO.	REV
C	901-401x-xxx	B
SCALE: 1:4	WEIGHT:	SHEET 1 OF 1