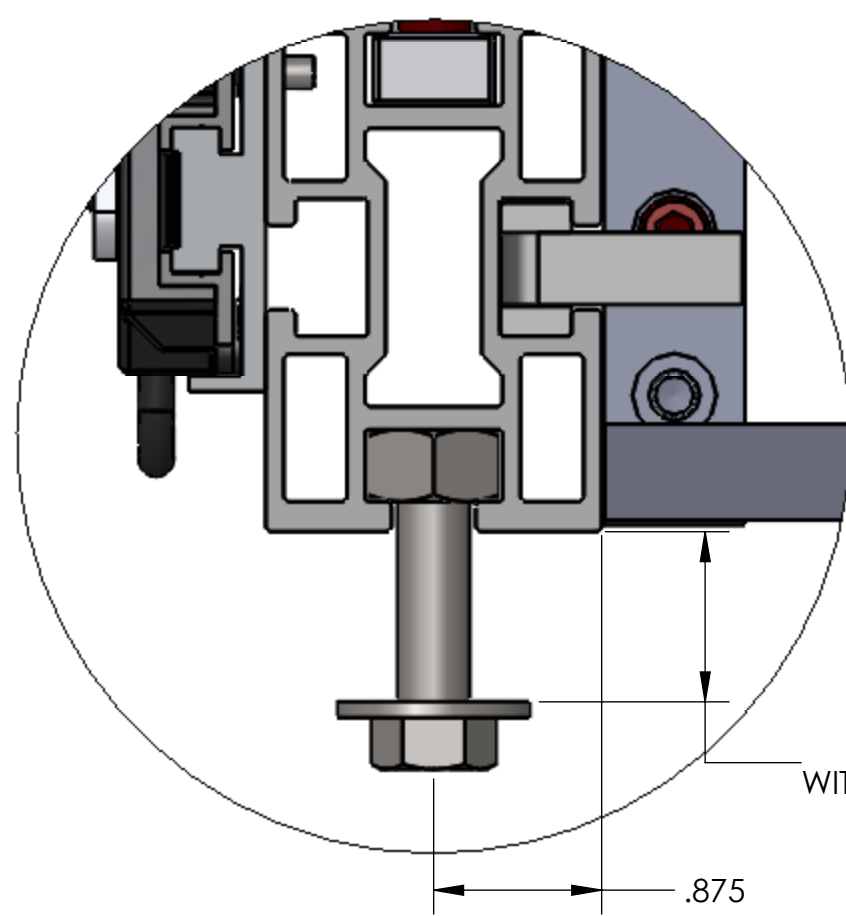


8 7 6 5 4 3 2 1

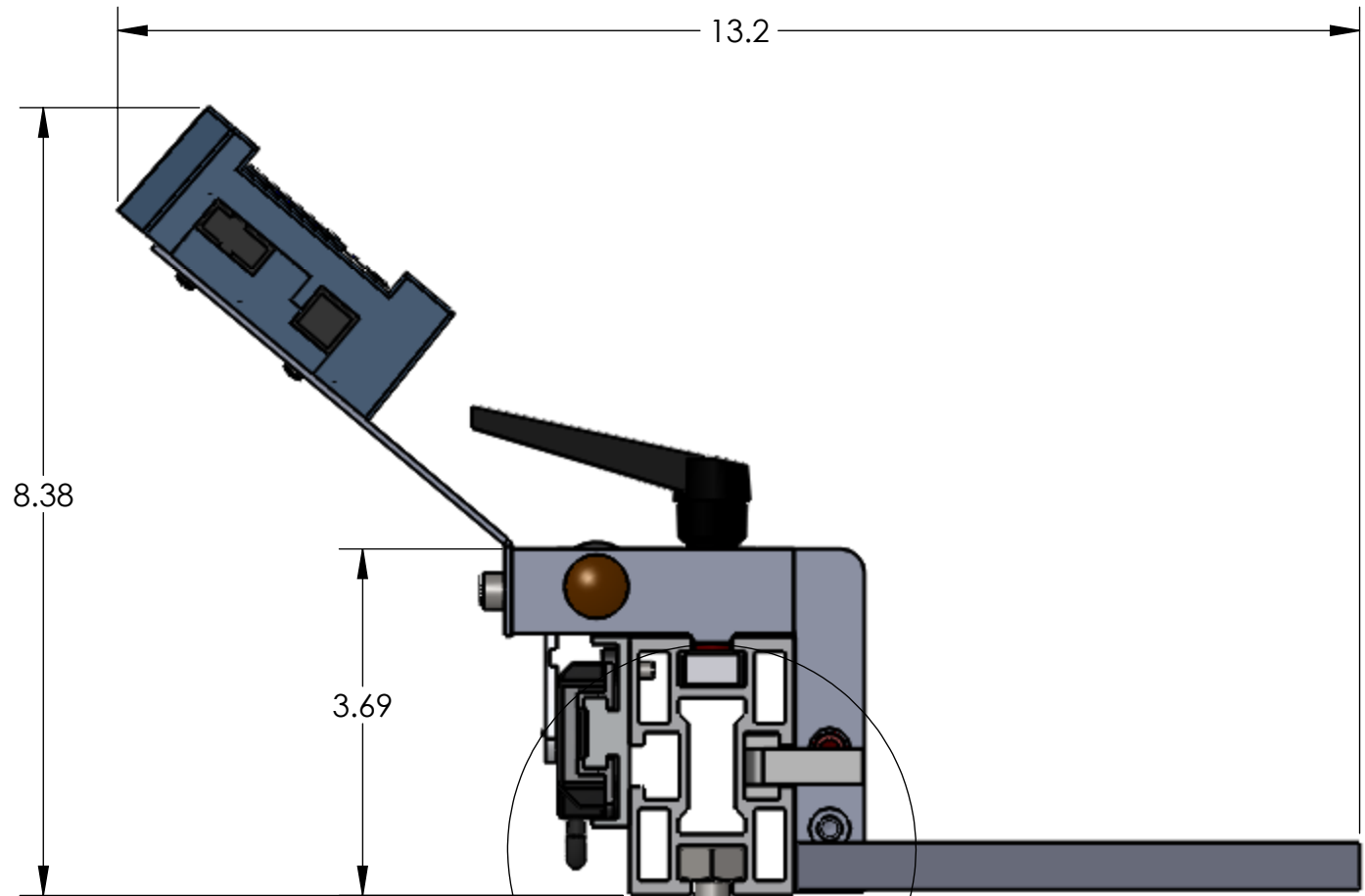
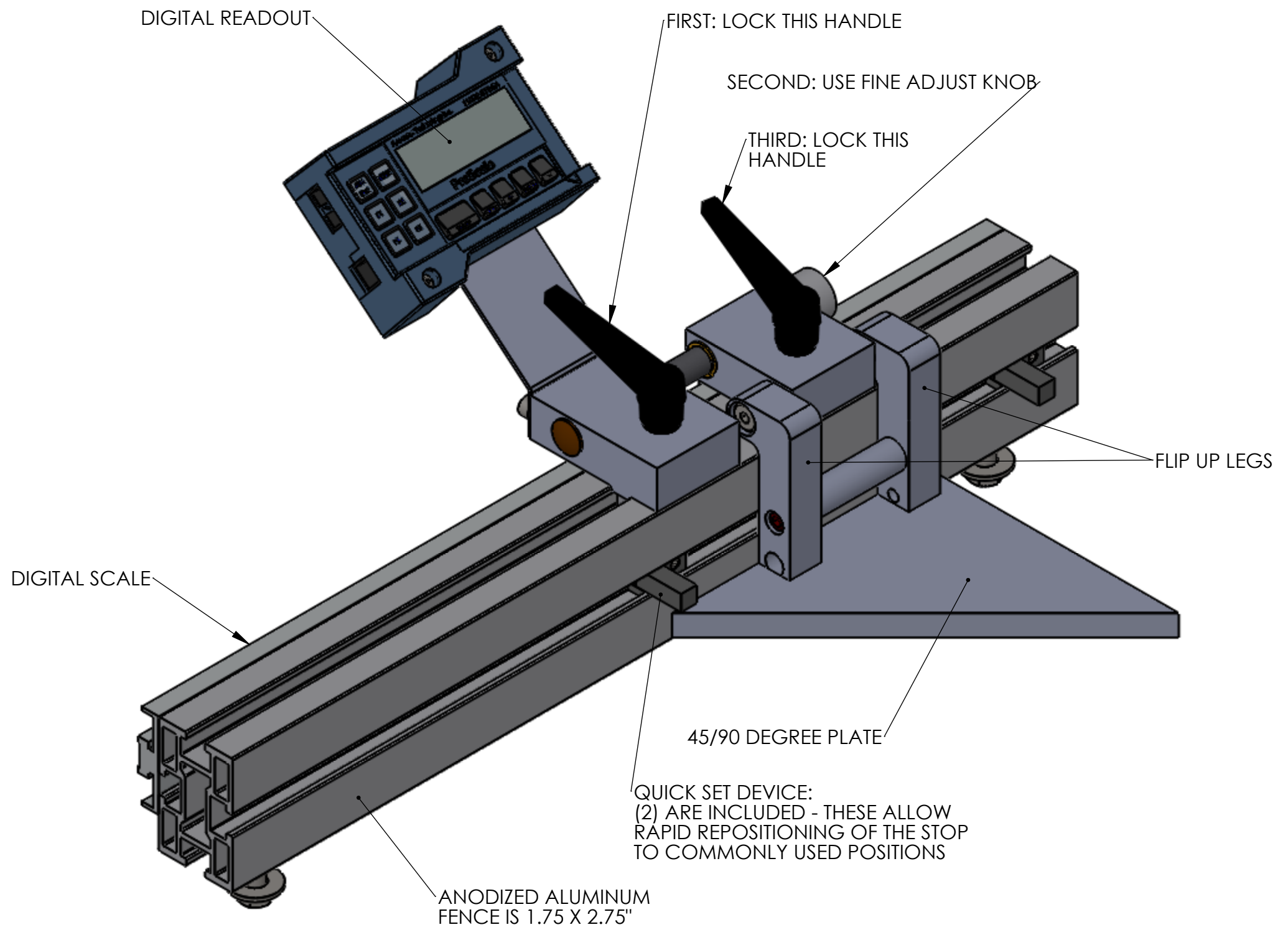
F
E
D
C
B
A



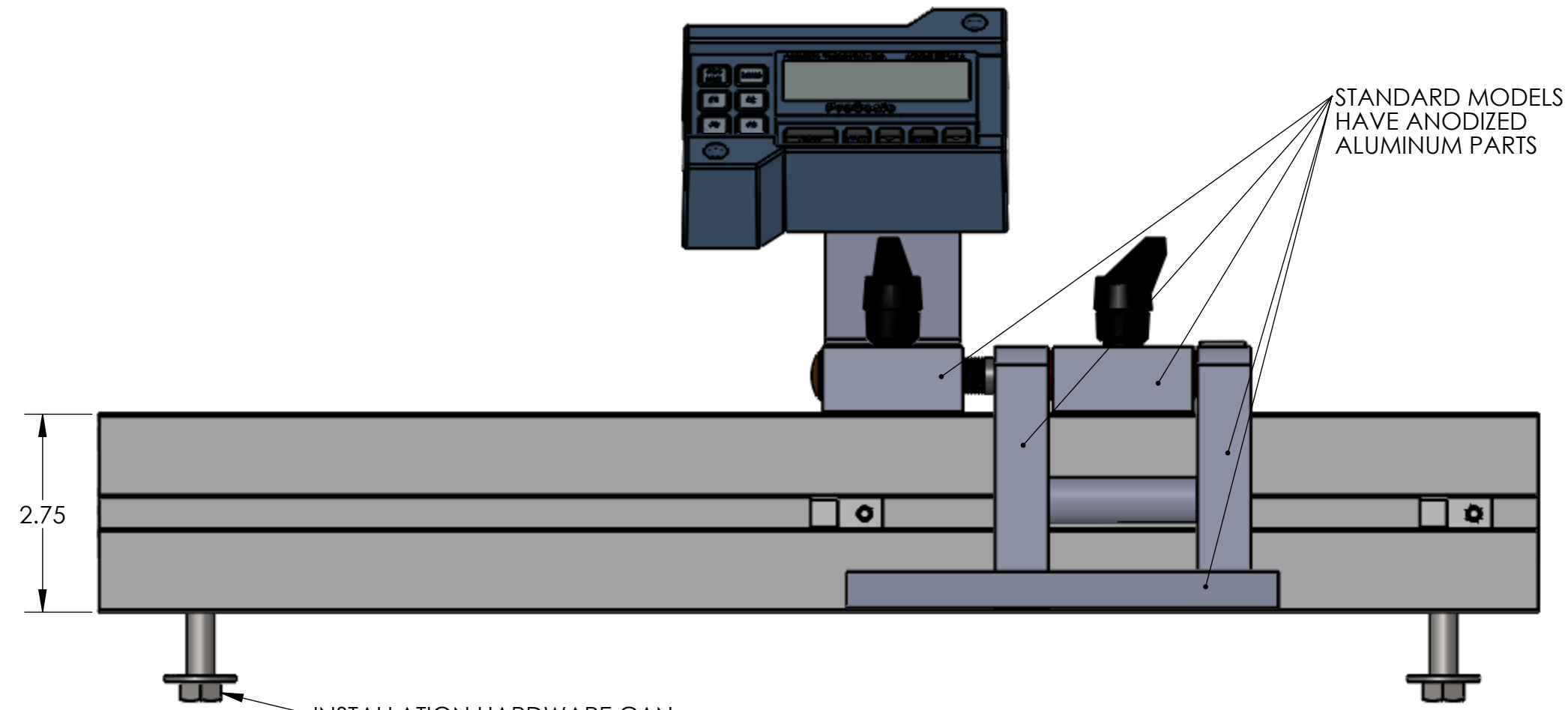
.45 TO 1.05 INCHES
WITH SUPPLIED HARDWARE

.875

DETAIL A
SCALE 1 : 1



3/8" HEX HEAD BOLTS & NUTS
(SUPPLIED)



INSTALLATION HARDWARE CAN
BE POSITIONED ANYWHERE ALONG
LENGTH OF PROSTOP
(BOLTS ARE TIGHTENED FROM
THE BOTTOM SIDE)

PROPRIETARY AND CONFIDENTIAL
THE INFORMATION CONTAINED IN THIS
DRAWING IS THE SOLE PROPERTY OF
ACCURATE TECHNOLOGY, INC. ANY
REPRODUCTION IN PART OR AS A WHOLE
WITHOUT THE WRITTEN PERMISSION OF
ACCURATE TECHNOLOGY, INC. IS
PROHIBITED.

UNLESS OTHERWISE SPECIFIED:	NAME	DATE
DIMENSIONS ARE IN INCHES	DRAWN	MF 3-12-12
TOLERANCES:	CHECKED	
ANGULAR: MACH ±1 BEND ±2	ENG APPR.	
ONE PLACE DECIMAL ±0.050	MFG APPR.	
TWO PLACE DECIMAL ±0.020	Q.A.	
THREE PLACE DECIMAL ±0.005	COMMENTS:	
INTERPRET GEOMETRIC TOLERANCING PER:		
MATERIAL:		
FINISH:		
DO NOT SCALE DRAWING		

ACCURATE TECHNOLOGY INC.		
TITLE: PROSTOP DIMS		
SIZE	DWG. NO.	REV
C	901-62XX-001	C
SCALE: 1:2	WEIGHT:	SHEET 1 OF 1

8 7 6 5 4 3 2 1