

# DIGI FENCE® Installation Instructions for SawStop® Fence

This DIGI FENCE kit is designed for installation on a [SawStop Commercial Fence](#).

Accurate Technology manufactures kits for other saw fences in which some or all of the components may be different. For more information about this or other available kits please contact Accurate Technology.

**Warranty:** Accurate Technology, Inc. warrants DIGI FENCE against defective parts and workmanship for 1 year commencing from the date of original purchase. Upon notification of a defect, Accurate Technology, shall have the option to repair or replace any defective part. Such services shall be the customer's sole and exclusive remedy. Expenses incidental to repair, maintenance, or replacement under warranty, including those for labor and material, shall be borne by Accurate Technology, Inc. (Including freight or transportation charges during the first 30 days).

Except as expressly provided in this warranty, Accurate Technology, Inc. does not make any warranties with respect to the product, either expressed or implied, including implied warranties of merchantability or fitness for a particular purpose, except as expressly provided in this agreement.

Accurate Technology, Inc. shall not be liable for any special, incidental, or consequential damages or for loss, damage or expense directly or indirectly arising from the customer's use of or inability to use the equipment either separately or in combination with other equipment, or for personal injury or loss or destruction of other property, or from any other cause.

To request repair work, (either warranty qualified parts or not) contact Accurate Technology, Inc. directly by phone, fax, or e-mail. A Returned Merchandise Authorization (RMA) number is required before returning a product for repair.

## The following components are included in this Kit



Scale



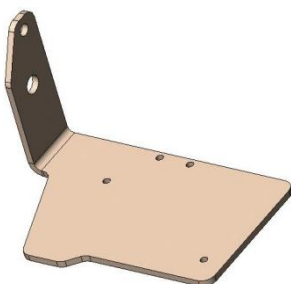
Readout



Encoder



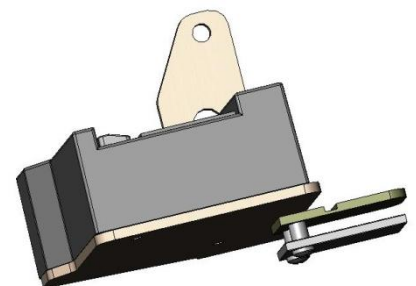
Guide Clip



Readout Bracket



Guide Clip Protector



Readout, Bracket, Guide Clip and Protector Assembly

**NOTE:** Some of the parts for this installation kit may have been pre-assembled for your convenience by the factory before shipping.

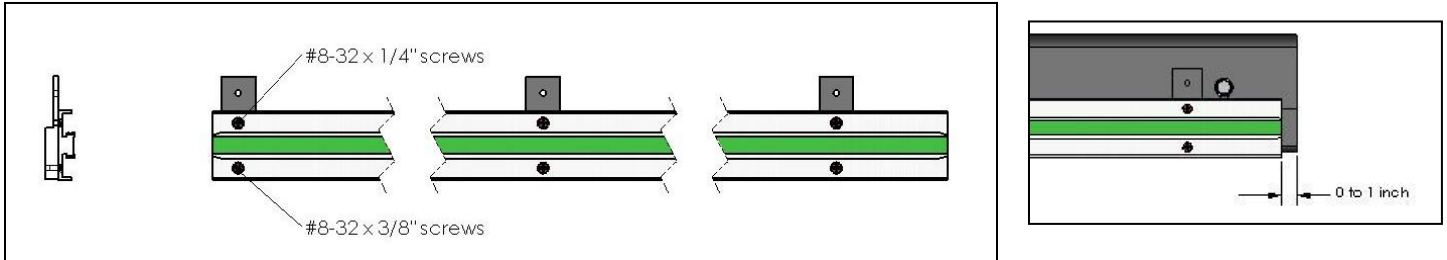
## Tools Required

- ✓ Set of small clamps
- ✓ Drill
- ✓ Center punch
- ✓ Drill and tap for 8-32 screws (included)
- ✓ Tap handle (optional)
- ✓ #2 Phillips screw driver
- ✓ Adjustable wrench

**Before installing DIGI FENCE**  
**DISCONNECT POWER FROM THE SAW**

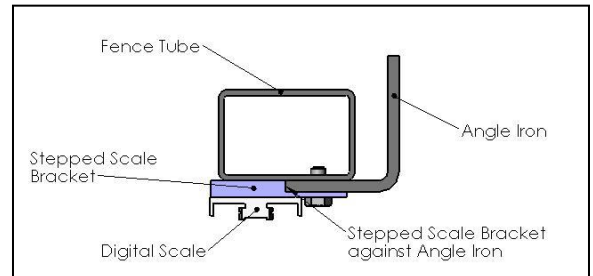
## READ ALL INSTRUCTIONS BEFORE BEGINNING INSTALLATION

### Install the Scale

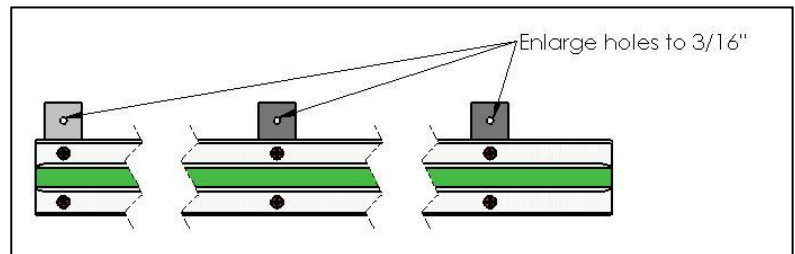


1. Mount the digital scale to the stepped plates as shown, using the supplied screws.
2. Align the right edge of scale close to the right edge of fence tube. Typically, the scale is installed within an inch of the right edge – see diagram. This alignment is not critical (the Readout can be calibrated to start anywhere on the scale).
3. Align back edge of stepped scale bracket against angle iron<sup>1</sup>, as shown<sup>2</sup>.

4. Clamp scale assembly in place.
5. Using the holes in the stepped scale bracket as a guide, drill into the angle iron using the supplied #29 drill bit.
6. Unclamp the scale assembly.



7. Enlarge the guide holes in the stepped scale brackets using a 3/16" drill bit.
8. Using the supplied 8-32 thread tap, tap the holes in the angle iron. Remove any burrs using a countersink or small file.
9. Attach the scale assembly to the angle iron using the supplied 8-32 x 3/8" Phillips panhead screws.



<sup>1</sup> Our retrofit kit is designed to fit onto fences where the angle iron legs are 3 inches long. If the leg that supports the fence tube is shorter than 3 inches, the Stepped Scale Bracket should be spaced away from the angle iron accordingly. For example, if your angle iron's leg is 2.5 inches, there should be an air gap of 0.5 inches between the front of the angle iron and the back of the Stepped Scale Bracket. (Small wooden spacers can be used for this, or our factory can supply these on request.)

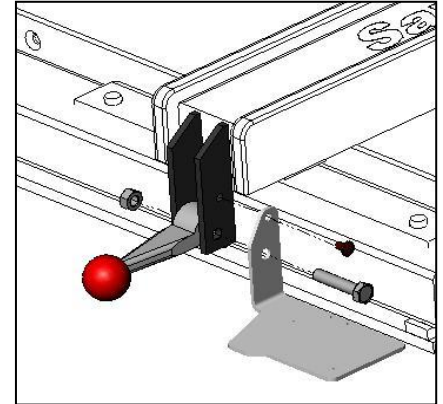
<sup>2</sup> Our retrofit kit is designed to fit onto fences where the angle iron is 0.25 inches thick. If your angle iron is only 3/16" thick, some 1/16" shims will need to be added between the Stepped Scale Bracket and the angle iron. Please contact us if you have questions about this requirement.

## Installing the Encoder

Carefully slide the encoder onto the scale. The cable should exit towards the rear of the saw. (If the cable cannot exit towards the rear, the digital readout will need to be configured to reverse the reading direction – see “Reverse Scaling” in the Operation Manual.)

## Installing the DRO Bracket

Remove the lock nut that holds the locking lever to the fence. Place the DRO bracket flush with the right side of the fence. The large hole in the DRO bracket fits over the locking lever bolt. Reinstall the nut. Hold the DRO bracket so the bottom is parallel to the floor and tighten the nut.

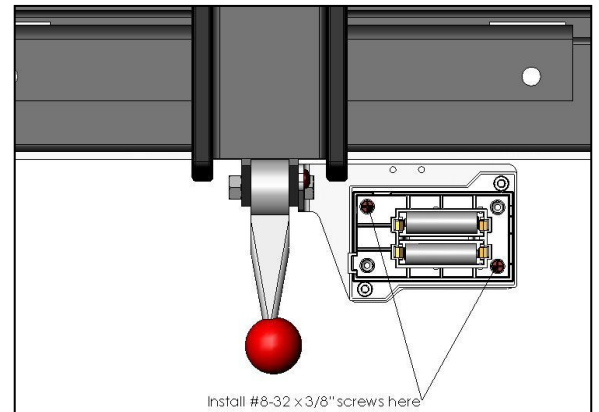


### To provide a stronger installation of the DRO bracket:

1. Mark the position of the DRO bracket's upper hole onto the fence (using a transfer punch or a center punch).
2. Temporarily loosen the lock nut from step 11. Swing the DRO bracket backwards so the marked location is accessible. Drill the marked position with a #7 drill bit. Tap this hole with a 1/4-20 thread tap. Install the supplied 1/4-20 screw. Re-tighten the nut for the lower bolt.

## Installing the Digital Readout

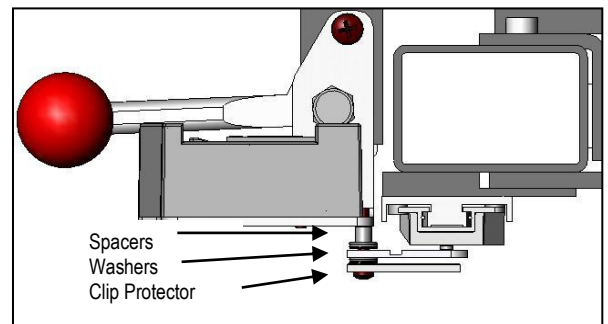
1. Remove the two screws on the front of the digital readout housing and set them aside.
2. Pull the cover off the base.
3. Drill out (or punch out) the upper left and lower right hole locations (they are partially drilled already).
4. Attach the digital readout base to the DRO Bracket using the supplied #8-32 x 3/8" flathead screws. Replace the digital readout cover and tighten screws.



## Guide Clip Installation

(Use Figure at right as a reference.)

1. Slide the supplied 8-32 x 1" screws into the clip protector's holes. Place two washers onto each screw. Slip the guide clip onto the screws (the side with the pocket should face away from the screw heads). Slide two more washers and one aluminum spacer onto each screw.
2. Attach this assembly to the bottom of the DRO bracket as shown. The pocket on the guide clip should engage the post on the encoder.
3. Examine the guide clip/encoder mating. The spacers and washers should stack up to apply just enough pressure to flex the clip 0.050 inches (approximately the same thickness as one washer). Adjust the number of spacers or washers until the spacing is properly set.
4. Connect the encoder cable to the digital readout.
5. Move the fence in both directions, checking for binding. Adjust the guide clip spacing, or the fence alignment as needed.
6. Verify the digital readout reads larger numbers when moved from left to right. If it does not, the readout will need to be configured to reverse the reading direction – see “Reverse Scaling” in the Operation Manual.



**Calibration:** (Refer to the Operation Manual for information regarding the Key functions of the Readout)

1. BE CERTAIN POWER IS DISCONNECTED
2. This calibration is best performed, and most accurate, when the Readout is set to Decimal Inches or MM .
3. With the fence locked in position near the saw blade, cut a small piece.
4. Measure this piece with the most precise measuring tool you have available and write down the measurement.
5. Without moving the fence, press the DATUM key on the Readout. (readout should display 0.00)
6. Use the PLUS key to enter the value you measured in Step 3 into the Readout.
7. The Readout should be re-calibrated when the blade is changed or when the Readout battery is replaced.

Refer to the Operation Manual for information on how to program the DATUM key in order to recalibrate in seconds using the 'piece' you cut in Calibration Step #3

**Alternative QUICK Calibration (not as accurate):**

1. Position the fence until it is just touching saw blade
2. Without moving the fence, press the DATUM key on the Readout. The readout should display 0.00 (zero)

**Removing the Fence from the Saw:**

1. Unplug the Encoder cable from the Readout.
2. Disengage the Encoder from the guide clip.
3. Remove fence.
4. When re-installing fence, be sure the Encoder is once again engaged by the guide clip. Re connect the Encoder cable to the Readout and re-calibrate.

**Troubleshooting:**

***The reading is accurate close to the saw blade, but not accurate at longer distances:***

1. Check the alignment of the saw fence. The alignment *will* affect the measurements at longer distances.
2. Be sure to check the mounting of all components. Any loose bolts can allow for "slop" measurements.
3. Ensure the Encoder is engaged by the Guide Clip.

***The readout resets itself while saw is running and the fence is locked:***

1. Large voltage spikes from nearby motors, inverters, or dust collection systems can cause this. Be sure all devices are properly grounded.
2. Be sure the Readout has not been accidentally set to INC mode. Refer to Operation Manual for ABS vs INC measurement modes.

***The display resets itself while the saw is not running and the fence is locked:***

1. Be sure the Readout has not been accidentally set to INC mode. If so, return to the ABS mode. Refer to the Operation Manual for ABS vs INC measurement modes and LOCKING the readout.
2. Be sure the DATUM key has not been accidentally pushed. If so, you will need to recalibrate the saw fence. Refer to the Operation Manual for information on LOCKING the Readout Keys.

***'No Enc' is displayed on the Readout***

1. Be sure the Encoder cable is plugged into the Readout. Also, be sure the Encoder is on the scale. To clear the error, unplug the Encoder for one second and re-insert the connector into the Readout. Recalibrate System.
2. The fence has been moved too quickly (faster than 60 inches/sec). To clear the error, unplug the Encoder for one second and re-insert the connector to the Readout. Recalibrate System.

***Battery Symbol Displayed on Readout***

1. The Readout battery (batteries) need replacing. Refer to the Operation Manual for instructions and battery type.

***My problem is not listed-where do I get help?***

1. The Operation Manual supplied with your system and [www.proscale.com](http://www.proscale.com)
2. Accurate Technology at 828-654-7920. Have your kit information ready when calling (machine model, part number, date of purchase, and point of purchase).
3. E-mail [customerservice@accurate-technology.com](mailto:customerservice@accurate-technology.com).